

# WESTFALL

**WESTFALL MANUFACTURING COMPANY**

16 Peckham Drive

Bristol, Rhode Island 02809

Email: [info@westfallmfg.net](mailto:info@westfallmfg.net)

Web-site: [www.westfallmfg.com](http://www.westfallmfg.com)

Tel: 401-253-3799

(888) 928-3747

FAX: 401-253-6530

# Model 2850 In-Line Static Mixer

US PATENT NO. D466, 595



Please contact our Asia Pacific distributor:

## H2O Rx

Phone: 0409 784 236

Email: [info@h2orx.com.au](mailto:info@h2orx.com.au)

[www.h2orx.com.au](http://www.h2orx.com.au)

PO Box 748, Lane Cove NSW 1595

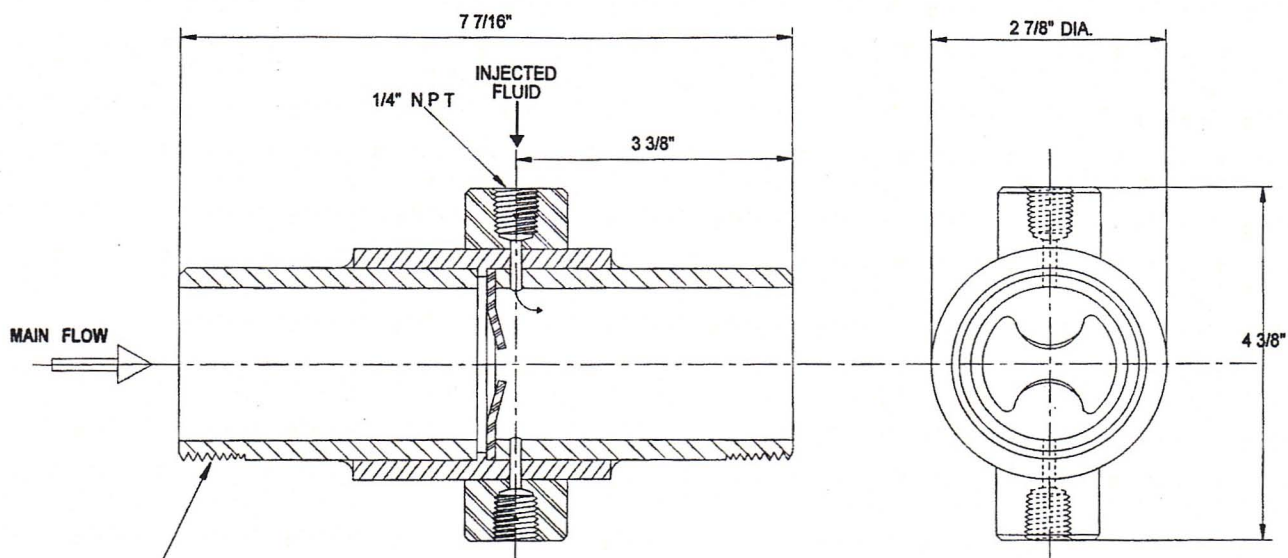
Bulletin 2850 March 2008

# Advantages of the Model 2850 In-line Static Mixer

- Low Cost
- Designed for PVC, CPVC, stainless steel systems
- Integral injection fittings
- Predictable mixing
- Easy installation
- No maintenance required
- No moving parts
- Available with flanged, threaded, or tri-clover end fittings

## Information Required for Express Service Quotation:

- Main Pipe Size and I.D.
- Main Line Fluid and Flow Rate
- Main Line Temperature, Pressure and Viscosity
- Quality of Injected Fluids
- Flow Rate, Temperature, Viscosity of Each Injected Fluid
- Material of Mixer Body
- Material of Mixer Plate
- Injection Fitting Material
- Other Special Requirements



2 INCH NPT OR  
2 INCH PLAIN END  
SCHEDULE 80 PIPE

**LOW COST, INLINE, STATIC MIXER**  
**EASY INSTALLATION AND HOOK-UP**  
**LONG SERVICE LIFE**  
**AVAILABLE IN 1" THROUGH 12"**  
**SCHEDULE 80 PVC PIPE**

**WESTFALL MANUFACTURING CO.**

16 Peckham Dr., BRISTOL RI 02809  
PHONE 401-253-3799 FAX 401-253-6530



Please contact our Asia Pacific distributor:

**H2O Rx**

Phone: 0409 784 236  
Email: info@h2orx.com.au

[www.h2orx.com.au](http://www.h2orx.com.au)  
PO Box 748, Lane Cove NSW 1595