

A

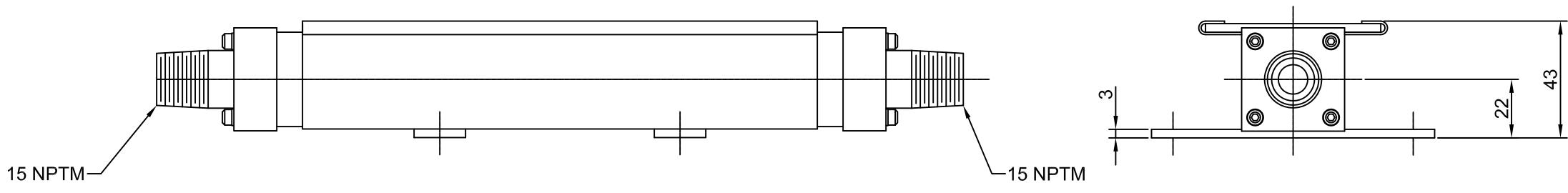
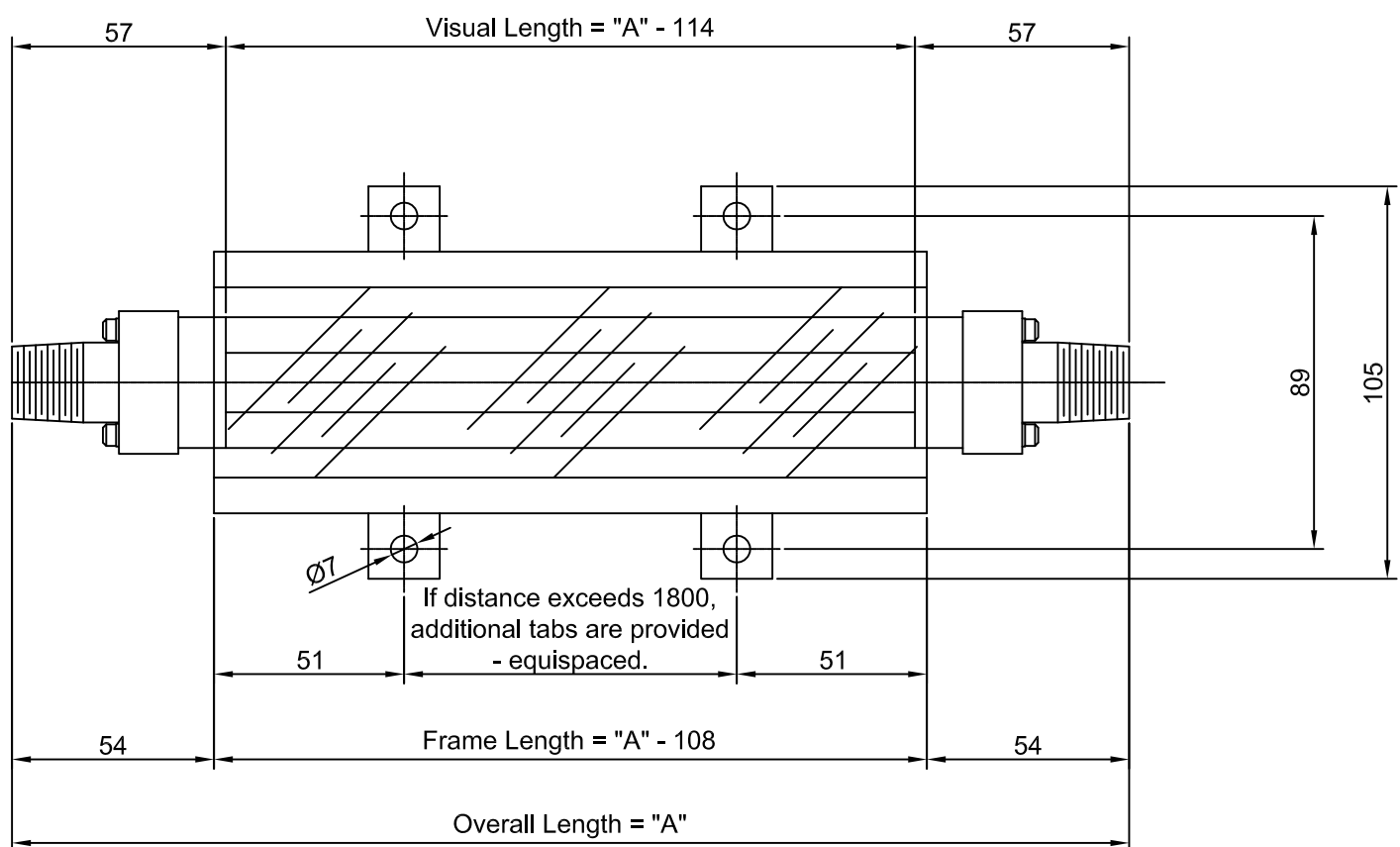
B

C

D

E

F



This drawing is the exclusive property of H2O Rx and must not be copied or reproduced in any way whatsoever without the express consent in writing of H2O Rx. The drawing is to be used only for the purpose for which it is supplied & must be returned on demand. The contents of the drawing must moreover be treated as strictly confidential & must not be disclosed to any third party without the express consent in writing of H2O Rx.

AMDT	AMENDMENT DETAILS	DESIGN	CHK'D	DRAWN	CHK'D	APP'D	DATE
1							
2							
3							
4							

H2O Rx
 A.B.N. 97 217 924 685
 PO Box 748.
 Lane Cove, NSW 1595
 www.h2orx.com.au

DESIGNED	S Young
CHECKED	
DRAWN	S Young
CHECKED	
APPROVED	

Preliminary	
Sight Glass Series 5700 - PVC	
5700-PVC - H2O RX.DWG	Sheet 1 Rev 0